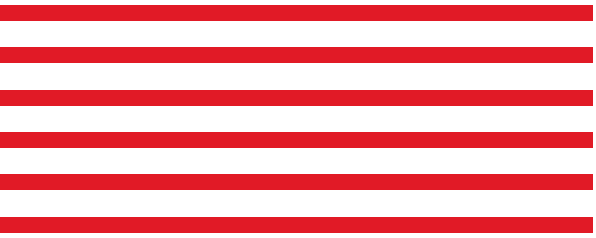


littil = **big** difference



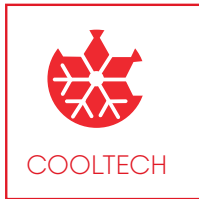
PRODUCT CATALOGUE



ZETTA

IP65 LED HIGHBAY RANGE

REPLACING TRADITIONAL METAL HALIDE AND MERCURY VAPOUR LAMPS



To see 360 degree rotations of this product visit littil.com.au

APPLICATIONS

Constant current input LED light with a power range from 100W to 300W, direct replacement for the energy consuming 200 to 400W Mercury vapour or Metal Halide lamps.

Emits a light beam in conventional cool white light, with a light beam spread between 50° and 120° depending on the lens plate choice. Ideal luminaire for all industrial, warehouse or covered spaces.

FEATURES & BENEFITS

- Suspended – variable length and suitable for multi strike application
- Quality internal **MEANWELL** driver with mains socket
- Quality **NICHIA** chips
- Ultra-low glare diffuser available

NEW**OPTIONAL BOLT-ON SENSOR NOW AVAILABLE****100W****120W****150W****200W****240W****300W****GENERAL**

Model Number	HB-Z100W-MW	HB-Z120W-MW	HB-Z150W-MW	HB-Z200W-MW	HB-Z240W-MW	HB-Z300-MW
Dimensions (mm)	388x196x383			388x207x388		388x257.5x388
Warranty	5 years					
Lifetime	50,000 hrs					

OPTICAL

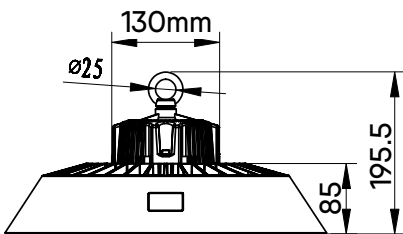
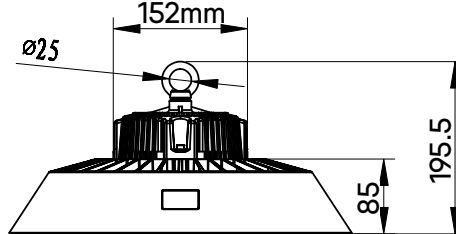
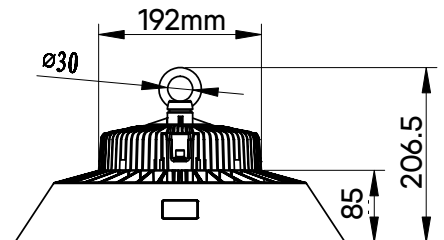
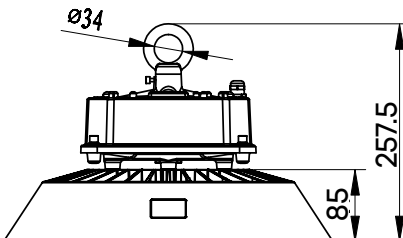
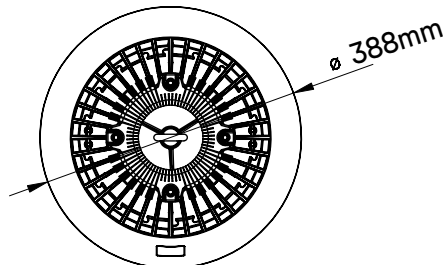
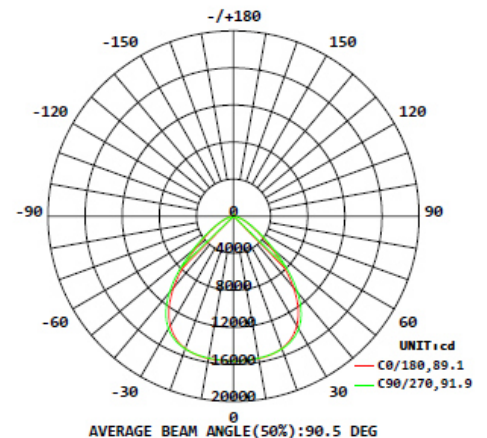
Beam Angle	50° - 90° - 120°					
Lumens	11,940 - 13,360	14,400 - 15,600	18,000 - 19,000	23,800 - 24,100	31,900 - 32,690	40,400 - 41,500
LED Type	Nichia					
LED Colour Temp	5000K					

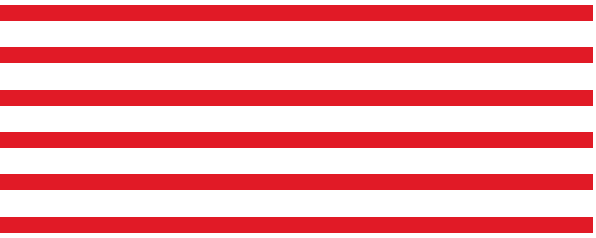
ELECTRICAL

Driver Type	Internal MEANWELL Driver					
Voltage	100-240 VAC, 50/50 Hz					
Power Factor	>0.95					
Sensor Capability	External Sensor Option Available					

OPTIONS

Various CCT	Available in 3000K, 4000K & 6000K					
Trim	Red					

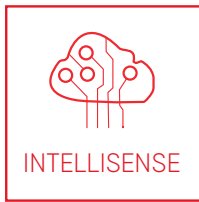
DIMENSIONS**100W****120-150W****200-240W****300W****100W-300W****Luminous Intensity Distribution****COMPLIANCE**



ZETTA

IP65 LED HIGHBAY RANGE

ACCESSORIES



PC REFLECTOR

BOLT ON PRISMATIC REFLECTOR



FEATURES & BENEFITS

- Ultimate low glare and uniform light diffusion
- Easy to assemble

ALUMINIUM DIFFUSER

BOLT ON ALUMINIUM DIFFUSER

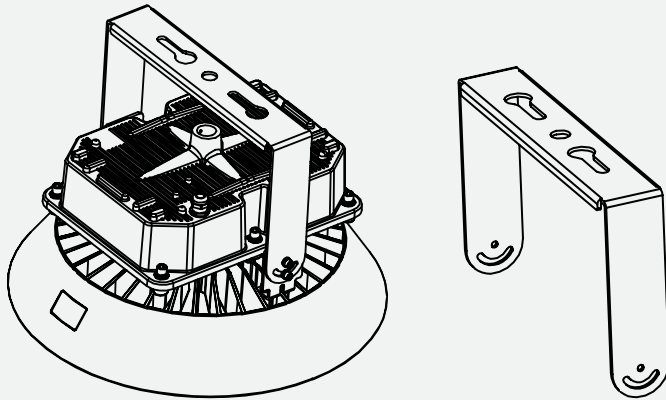


FEATURES & BENEFITS

- Reduces glare
- High durability and suitable for industrial environments

BRACKET

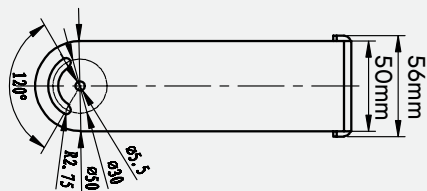
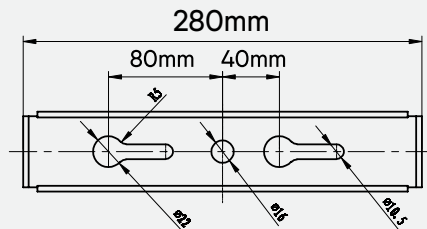
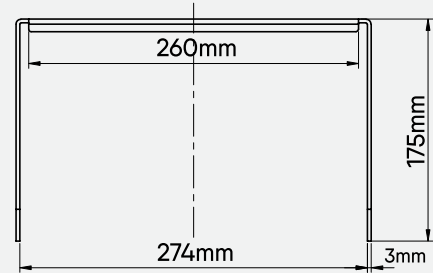
FOR HORIZONTAL OR VERTICAL SURFACE MOUNT INSTALLATIONS



FEATURES & BENEFITS

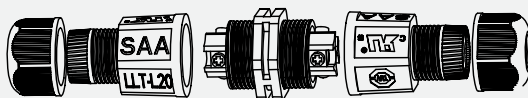
- High strength alloy
- Thick powder coating for outdoor use
- Adjustable -45° to $+45^{\circ}$
- Easy to assemble (bolt on)

DIMENSIONS



IP65 CABLE CONNECTOR

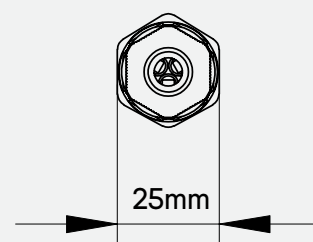
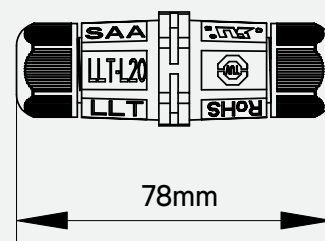
FOR ENVIRONMENTS REQUIRING IP65 RATINGS

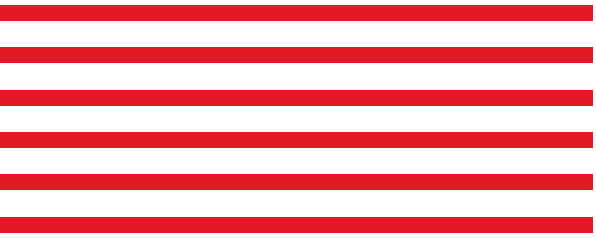


FEATURES & BENEFITS

- Screw terminals for easy assembly on site
- IP65 rated for protection against dust and water

DIMENSIONS





INTELLISENSE

BOLT-ON SENSOR

PROFESSIONAL LIGHT ADJUSTMENT



NEW BOLT-ON SENSOR



APPLICATIONS

Our **ZETTA LED Highbay series** now comes with the optional addition of super intelligent bolt-on sensors to detect motion and harvest daylight.

They add up to 40% efficiency to LED Highbays and operate on a 3-step dimming function when used in conjunction with a 1-10V dimmable LED driver.

FEATURES & BENEFITS

- Daylight-harvesting maximises ambient light
- Motion sensing and dynamic dimming
- Adds up to 80% efficiency when replacing Metal Halide Highbays with IntelliSense LED Highbays.
- Motion can be detected through plastic, glass and all thin non-metal materials
- Manufactured in accordance to ISO9001:2008

littil LED Bolt-On Sensors

GENERAL

Model Number	MC031V
Dimensions	59mm x 66mm
Detection zone (Max. D x H)	16m x 15m
Detection sensitivity	100%/50%
Hold time	5s/30s/90s/3min/20min/30min
Daylight sensor	50 lux/100 lux/200 lux/ Disable
Stand-by period	5s/5min/10min/30min/1h/Disable
Stand-by dimming level	10%/20%/30%/50%
Mounting height	15m Max
Motion detection	0.5-3m/s
Operating temperature	-35°C - 70°C

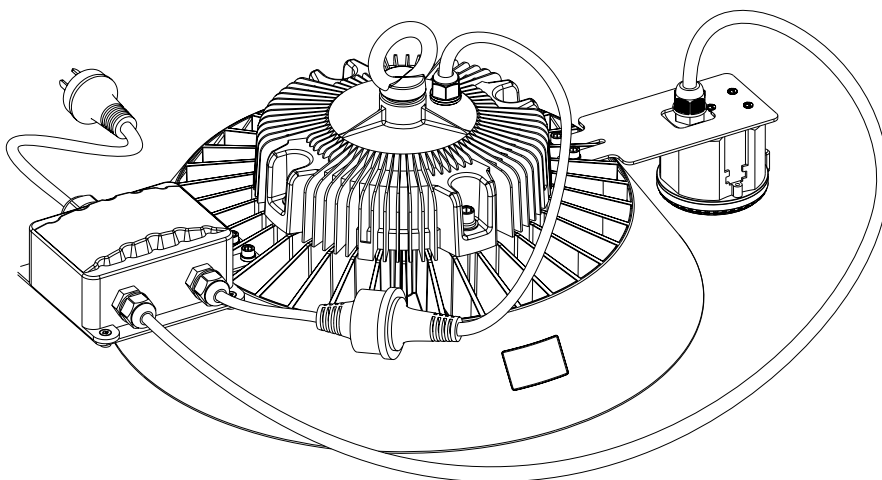
ELECTRICAL

Operating voltage	120-277 VAC, 50Hz/60Hz
HF system	5.8GHz ± 75 MHz, ISM wave band
Power consumption	≤0.8W (standby), <1.5W (operation)

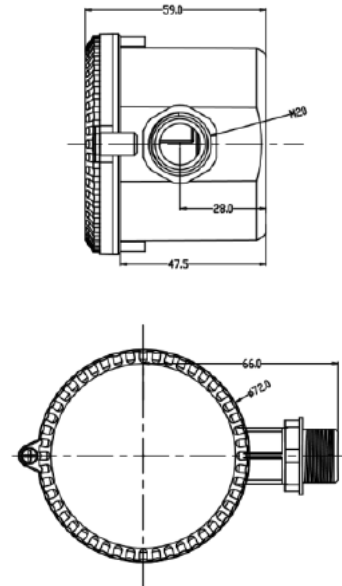
PRE-SET

Detection Area	100%
Daylight Harvesting	50 lux
Hold Time	3 min
Stand by Dim Level	10%
Stand by Duration	5 sec

LINE DRAWING



DIMENSIONS



DETECTION ANGLE

